

Zoom/focus gear adaptor

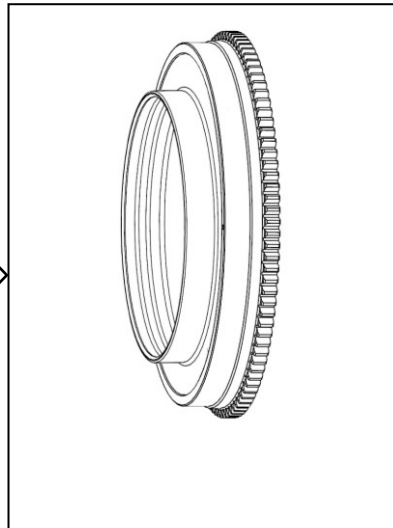
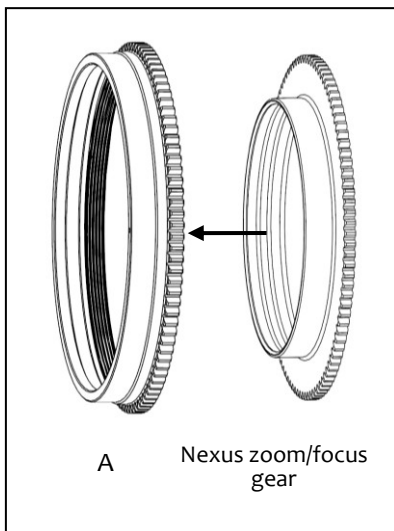
From Nexus to Nauticam



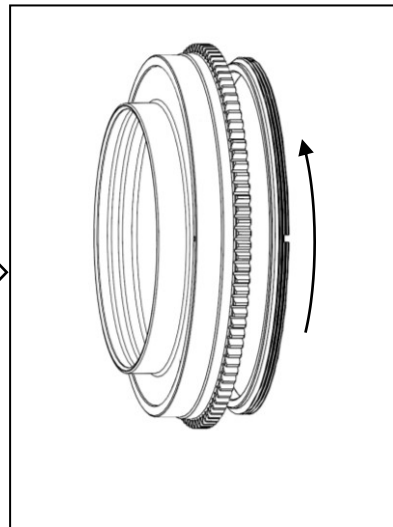
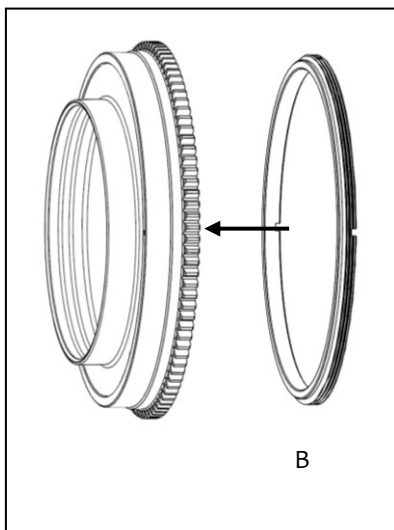
Please follow the instructions below for using Nexus zoom/focus gears with Nauticam housings.

The zoom/focus gear adaptor consists of 2 parts:

- Part A contains internal threads in its inner periphery and gear teeth on its outer periphery;
- Part B contains external threads in its outer periphery.



1. Insert the Nexus zoom/focus gear into part A of the adaptor, as shown in the diagram, until it cannot go in any further.



2. Align and tightly screw the external threads in part B of the adaptor onto the internal threads in part A.
3. Mount the adaptor/Nexus gear assembly on the lens as you would normally mount the Nexus gear.