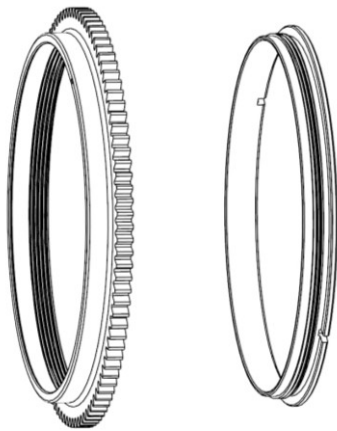


# Zoom/focus gear adaptor

## From Sea & Sea to Nauticam



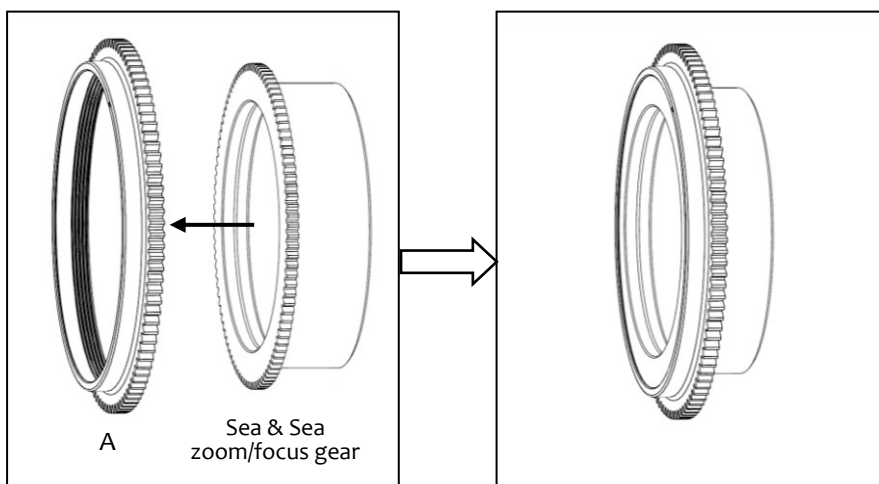
A

B

Please follow the instructions below for using Sea & Sea zoom/focus gears with Nauticam housings.

The zoom/focus gear adaptor consists of 2 parts:

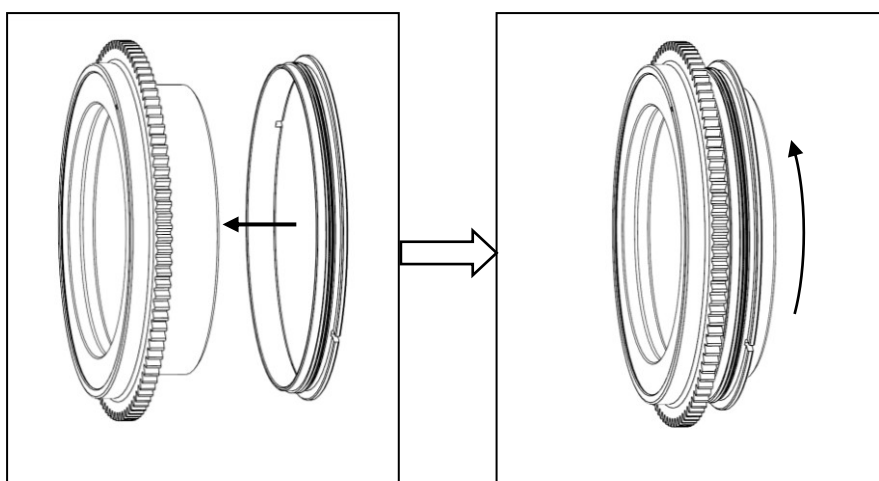
- Part A contains internal threads in its inner periphery and gear teeth on its outer periphery;
- Part B contains external threads in its outer periphery.



A

Sea & Sea  
zoom/focus gear

1. Insert the Sea & Sea zoom/focus gear into part A of the adaptor, as shown in the diagram, until it cannot go in any further.



2. Align and tightly screw the external threads in part B of the adaptor onto the internal threads in part A.
3. Mount the adaptor/Sea & Sea gear assembly on the lens as you would normally mount the Sea & Sea gear.