

Compact Port 30

Underwater Lens Port

Instruction manual



Warranty

1. All NAUTICAM Products are warranted against any material and manufacturing defects for one year from the date of purchase for consumer use.
2. NAUTICAM accepts no liability for any damage to and defects in the port caused by improper use and/or poor maintenance; it is the responsibility of the owner to carefully follow the instructions in this manual.
3. NAUTICAM does not hold responsibility for damage, of any nature, to any equipment used with and/or placed within the port.
4. NAUTICAM accepts no liability for any loss of captured images or the inability to capture images even if it is due to the malfunctioning or leakage of the port.
5. This warranty only applies to products purchased from authorised NAUTICAM dealers and does not extend beyond the original retail purchaser.
6. Unauthorised modifications and/or repairs of the port will automatically invalidate this warranty.
7. To return products for service, please notify us by email and ship the product to NAUTICAM by registered mail, along with your contact details and a brief description of the defect.

Precautions

1. This compact port 30 is designed to be used with a NAUTICAM housing and a NAUTICAM standard port base, please do not use this product with housings or port bases of other manufacturers.
2. A water-tight test without the camera inside the housing is highly recommended when using the system for the first time and after the changing of O-ring(s).
3. Do not use lubricants from other brands with the silicone rubber O-ring on this product, only use the lubricant provided by NAUTICAM.
4. Discontinue use immediately should you notice any leakage.
5. Store the product in a robust, shock-proof container during transportation.
6. Do not detach the product from the housing or the port base in a wet or sandy environment. Protect the interior from moisture and debris in order to prevent malfunction or leakage.
7. Do not store the product in an environment of high humidity.
8. Do not expose the product to direct sunlight for prolonged periods.
9. Keep out of reach of children, failure to do so could result in injury.
10. Defective products should be shipped to NAUTICAM for service, unauthorized disassembling and/or modifications could result in malfunction or leakage.

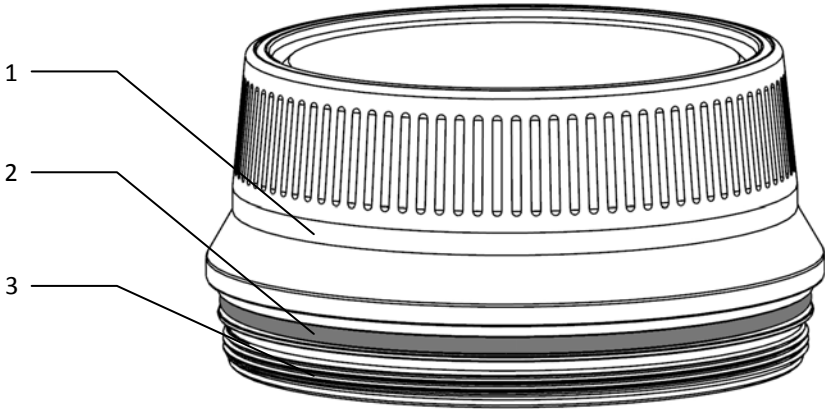
Table of Contents

<i>Specifications</i>	3
<i>Identification of Parts</i>	4
<i>Mounting the Port Base on the Housing</i>	5
<i>Care and Maintenance</i>	6

Specifications

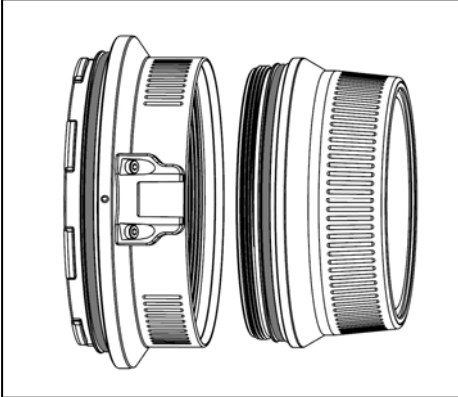
Construction	Main body:	Aluminium alloy
	Surface treatment:	Anodised
	Window:	Optical grinded glass
Dimensions	Maximum diameter:	115 mm
	Length:	59 mm

Identification of Parts

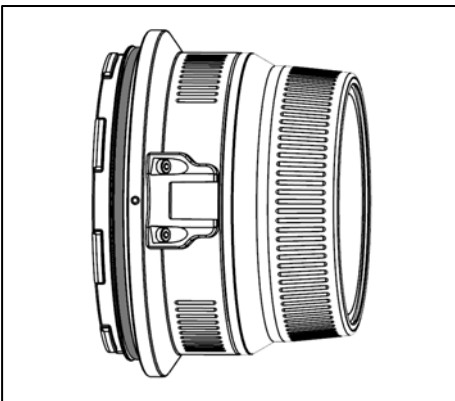


1	Compact port 30 body
2	Silicone o-ring
3	Threaded section

Mounting the Compact Port on the Standard Port Base



1. Remove the O-ring from the compact port, inspect for any damage and lightly coat it with the provided lubricant before placing it back into its groove.
2. Verify that the threaded section of the standard port base is clean and free from foreign material.
3. Align the external threaded section of the compact port and the internal threaded section of the standard port base.
4. Attach the compact port on the port base by holding the port base firmly and turning the compact port clockwise until there is no gap between the two.
5. To detach the compact port from the standard port base, turn the compact port anti-clockwise while holding the port base firmly.



Please refer to the instruction manual of the housing for guidelines to install the camera and the lens into the housing and port system.

Care and Maintenance

1. Soak the compact port in fresh water after each salt water use to avoid the accumulation of salt residue; wipe the port with a towel before detaching it from the standard port base.
2. After each day of diving, it is advisable to have the O-ring removed from its groove and inspected for damage, also check that the O-ring retains its original circular shape; never stretch the O-ring excessively or remove it with a sharp object. The O-ring groove should be cleaned to ensure it is free from any salt deposit or foreign material; lightly coat the O-ring with the provided lubricant before reinstalling it in the groove. A damaged O-ring should be discarded immediately and replaced only with one that is provided by NAUTICAM.
3. Replace the O-ring annually.
4. Clean the glass window with microfibre cloths only; use lens cleansing fluid for stains.

NAUTICAM International Limited
Room 2203,
CCT Telecom Building,
11 Wo Shing Street,
Fotan, HONG KONG

Email: enquiry@nauticam.com
Tel: +852 2690 2711
Fax: +852 2690 9778

